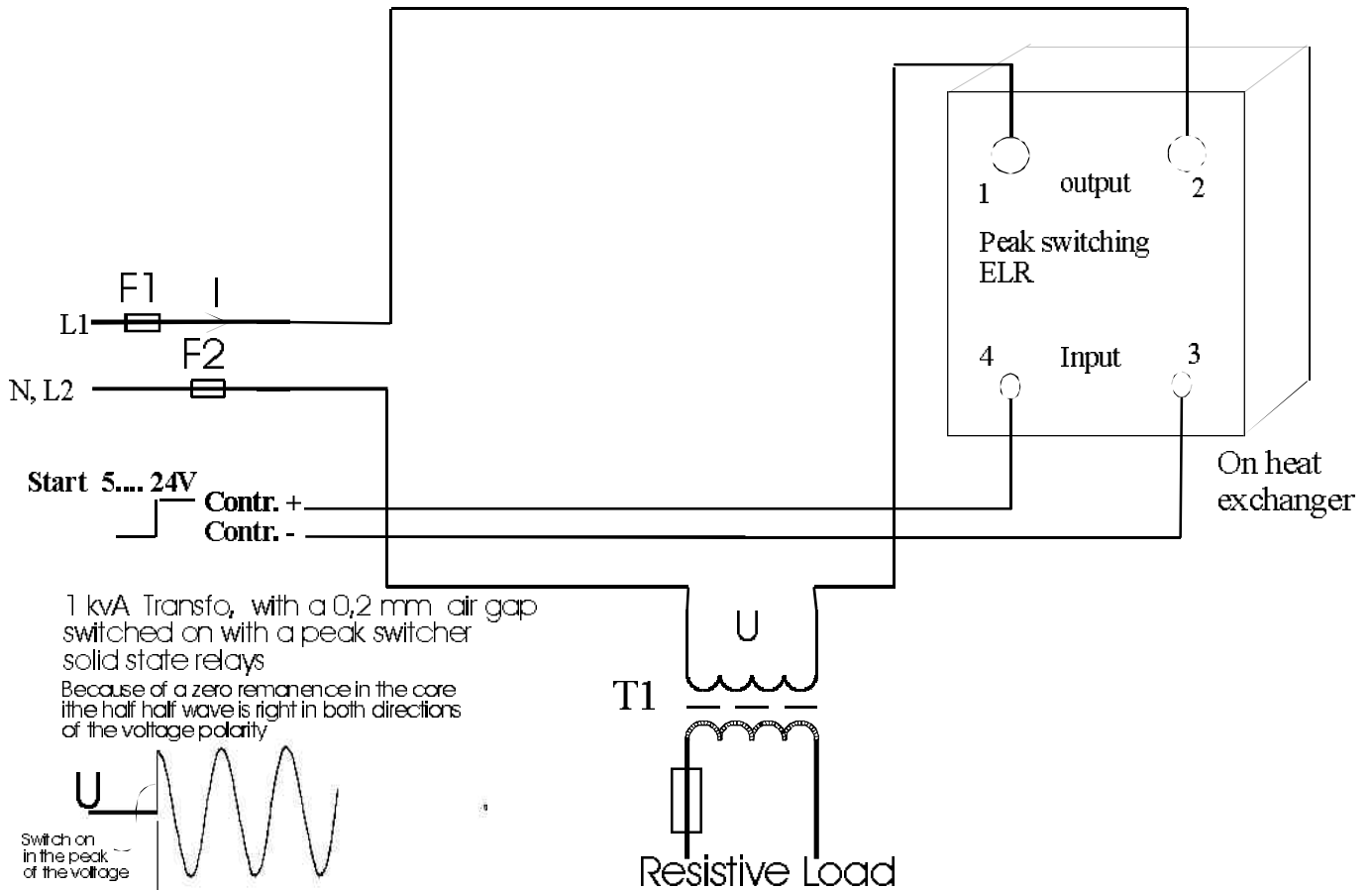
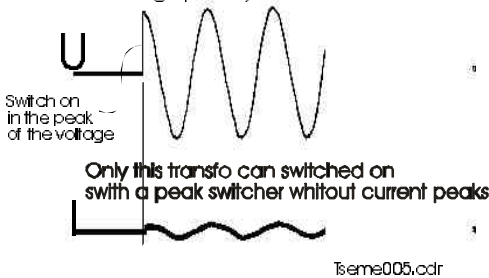


Soft-start of Transformers

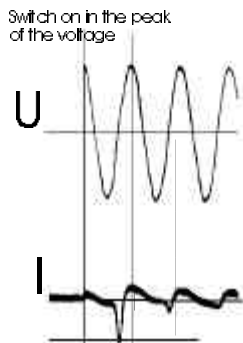
With a peak switching solid state relays



1 kVA Transfo, with a 0,2 mm air gap switched on with a peak switcher solid state relays
 Because of a zero remanence in the core the half half wave is right in both directions of the voltage polarity



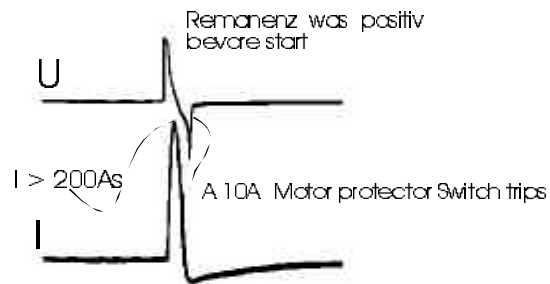
1 kVA Trafo, with a small air gap started with peak switching



50A current peak at the End of the neg. Half wave because the remanence was negativ bevore start

TSEme004.cdr

1 kVA Toroid Transfo, started with peak switching ELR



Tseme006.cdr

All currents and voltages are measured on primary side at 230V

Disadvantages of peak switching relays:

Cooling bar needed.

Works only with transformers with a big air gap, there is no remanence in the core. (Constant current Transformers.)

Toroid Transformers are not softstartable with this