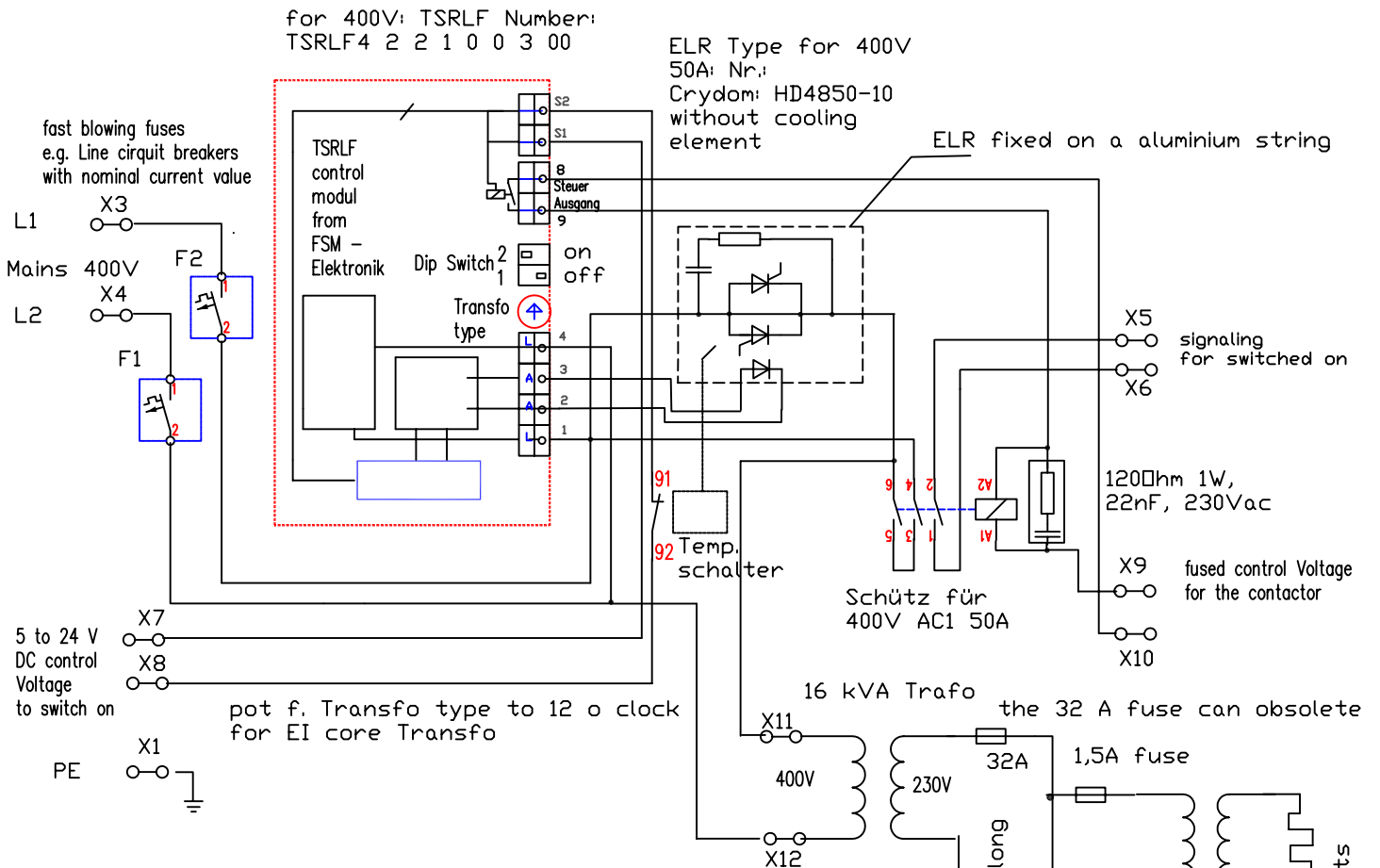


Applikation-Drawing

for TSRLF module to control a solid state Relais and a Bypass Contactor to switch on a 20 kVA single phase Transformer without Inrush current peak. Transformer feeds switch point heating elements.

For cycle rate from e.g. 2 times in 10 minutes.



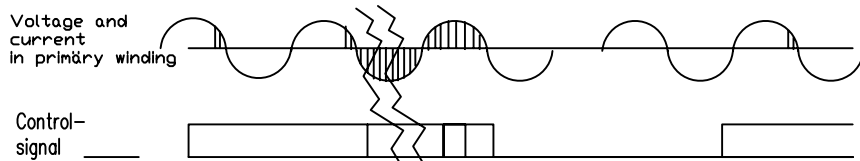
All Transformers will be switched on together without Inrush current peaks.

The TSRLF control Module controls a random switching solid state relay

Switch on delay after control signal on is 20-50 msec.
Switch off delay is 20-50msec.

The control output from TSRLF , controls a Bypass contactor in this manner to avoid contact erosion.

with Premagnetising by Voltage time impulses, the Inrush is avoiding.



16.11.00

Emeko Ing. Büro M.Konstanzer
D 79114 Freiburg Britzingerstr. 36

whzgb2.dwg

to the other 17 Transformers

Assembling Proposal

